

Parans Luminaire Sheets
-Luminaire Data, Light Distribution Curves and Installation Directions

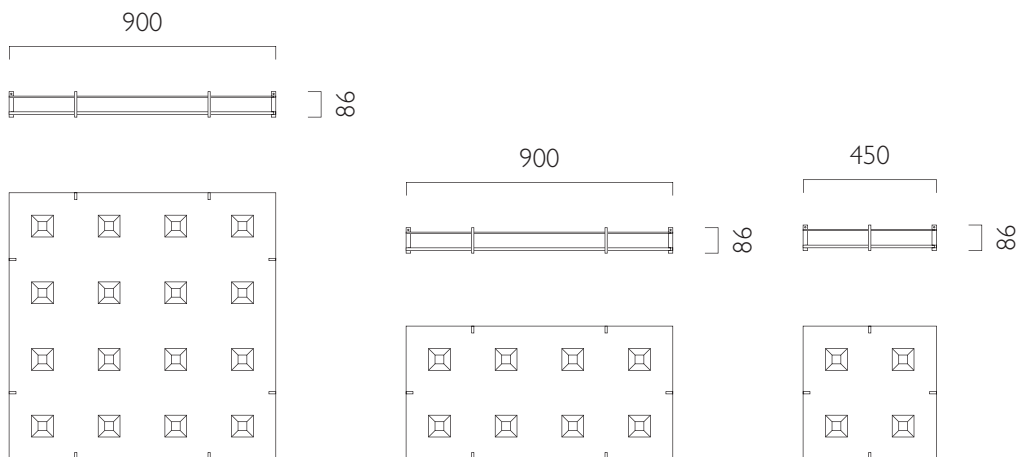
Parans LI

Sunlight luminaire in light and transparent acrylic glass that is only for sunlight why it is not available with hybrid function. Comes in three sizes.



Model	Hybrid Version?	N/o Optical Cables	Dimensions	Weight
Parans LI Small	No	1	450 x 450 x 86 mm	3,6 kg
Parans LI Medium	No	2	450 x 900 x 86 mm	7,2 kg
Parans LI Large	No	4	900 x 900 x 86 mm	14,4 kg

Drawings



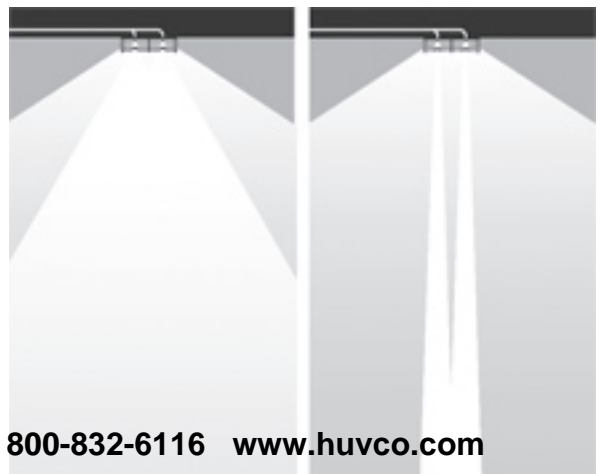
Parans LI Large

Parans LI Medium

Parans LI Small

Light Distribution

The Parans LI can as an option be equipped with focusing lenses which creates a more focused stronger luminance over a smaller area. This can for example be valuable to create a distinct sunlight experience in rooms with high ceilings.



Parans LI

Installation Directions

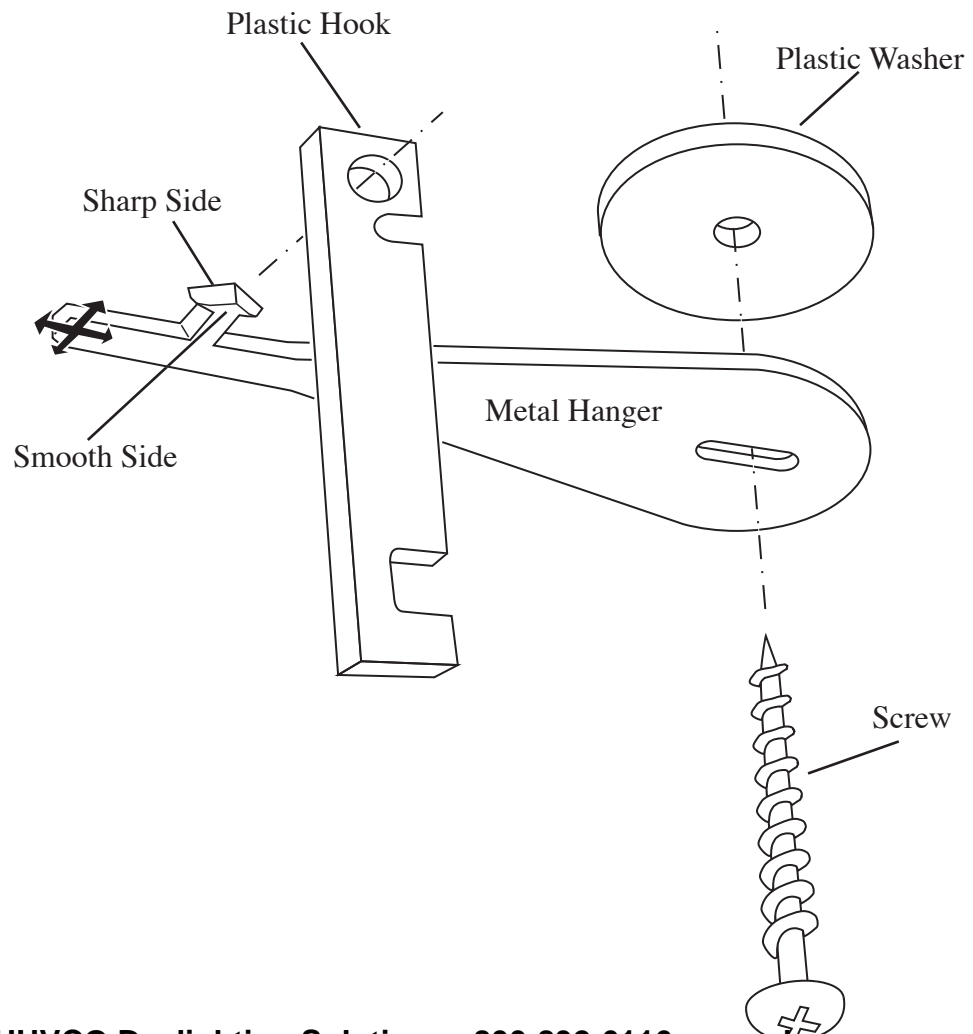
Considerations before installing:

The Parans LI can be suspended flush with a ceiling or pending down with wires, which solution to choose has both practical and aesthetic considerations.

Depending on the ceiling material, different screws and/or plugs may be appropriate. Check with a specialist if uncertain.

Always control that your ceiling will support the weight of the luminaire.

1. Place the Parans LI at the intended mounting position and mark out positions for the mounting screws depicted below.
2. Make the appropriate holes in the ceiling for the screws/plugs that are being used.
3. Mount the metal hanger bracket complete with the plastic washer in the sense shown in the illustration below. **Note that the bracket has a smooth and a sharp side; the sharp side must be upwards so that the plastic hooks suspend the luminaire safely.**
4. Attach the optical fiber(s) to the hole(s) in the luminaire back sheet (the thinner of the two sheets).
5. Hang up the luminaire by pushing the arrowshaped part of the Metal Hanger onto the Plastic Hooks.



Parans L2

Circular, recessed luminaire available with- or without Hybrid function.

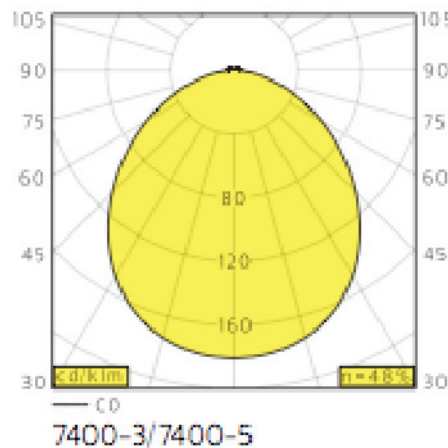


Model	Hybrid Version?	N/o Optical Cables	Dimensions	Weight
Parans L2 Small	Yes	1 (2*)	Ø 500 × 107 mm	4,5 kg
Parans L2 Large	Yes	4	Ø 1000 × 159 mm	5,9 kg

Model	Recommended Lamp	Luminous Flux	N/o Lamps	Total Flux
Parans L2 Small	Osram Dulux F 24W/840	1 700 lm	4	6 800 lm
Parans L2 Large	Osram Dulux L 36W/840	2 900 lm	6	16 800 lm

* 2 Optical cables can be used in the same luminaire. Useful when the optic cables are extra long and/or extra high lux levels are required.

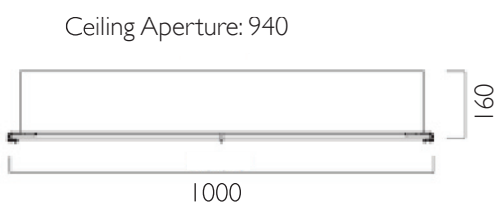
Electrical Light Distribution Curve



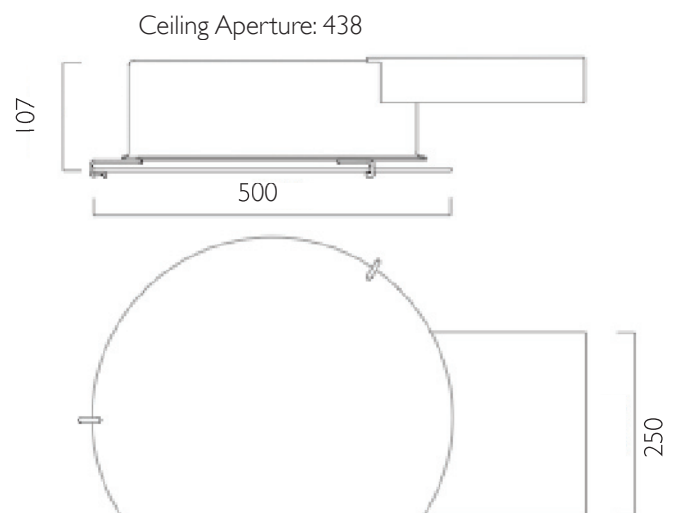
Drawings:

Parans L2 Small

(mm)



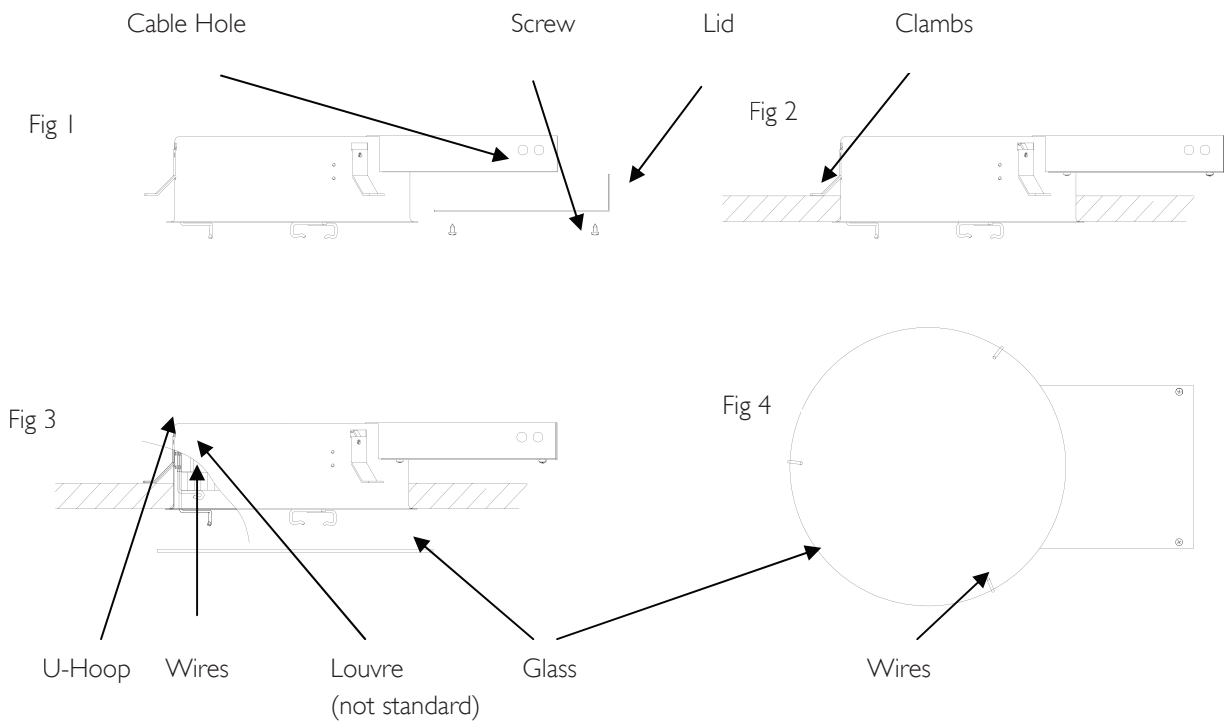
Parans L2 Large



Parans L2

Installation Directions

1. Ensure that voltage and Hz on the fixture and mains voltage are the same.
2. Unscrew and lift off the lid. Connect the cable to the terminal block through the cablehole. Put the lid back.(fig 1)
3. Fasten the Parans Optical Cable(s) in the centrally placed hole(s) in the base of the fitting's reflector.
4. Place the fixture in the hole in the ceiling and bring the 3 clamps into the T-rail. Adjust vertically. Fix them with washer and nut.
5. Fix the louvre by turning the 3 wires when the louvre rests towards the U-Hoop.
6. Fix the glass by turning the 3 wires when it rests towards the fixture. NOTICE The mat face of the glass upwards.



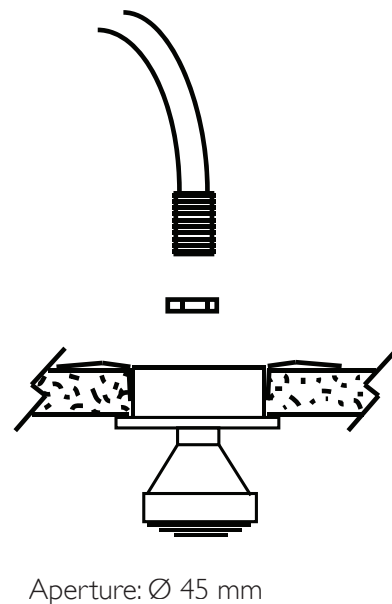
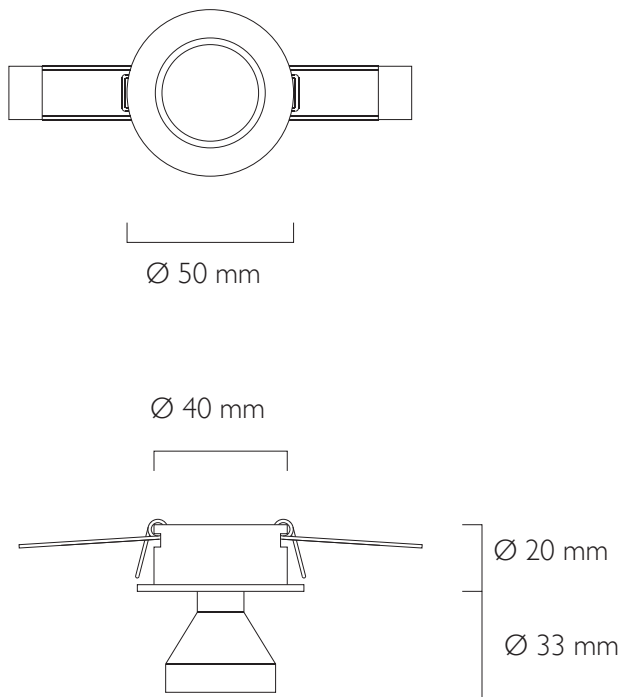
Parans L3



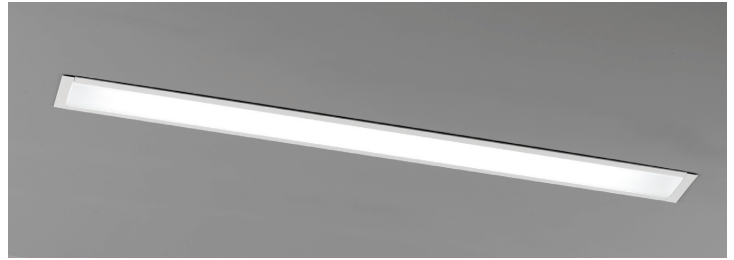
Model	Hybrid Version?	N/o Optical Cables	Dimensions	Weight
Parans L3	No	1	Ø 50 mm	0,053 kg

Installation Directions / Attaching the Optical Cables

1. Drill a hole in the ceiling/wall/... with a diameter of 45 mm.
2. Draw the optical cable through the hole and screw it onto the luminaire.
3. Fold the longer springs on each side so that they are directed into the hole. Insert the luminaire, keeping the shorter springs directed opposite to the longer springs. This makes the springs close like a clamp, locking the luminaire securely in place.



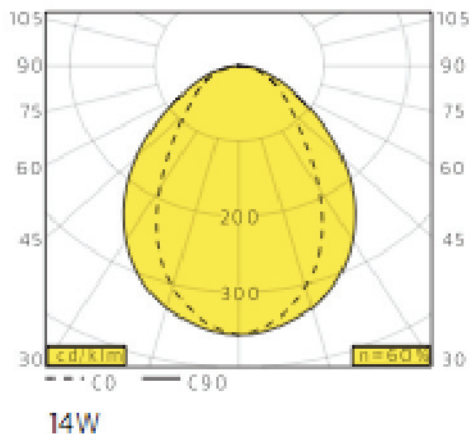
Parans L4



Model Parans L4	Hybrid Version? Yes	N/o Optical Cables 1	Dimensions 1217 x 84 x 92	Wieight 3,7 kg
---------------------------	-------------------------------	--------------------------------	-------------------------------------	--------------------------

Recommended Lamp Osram FH 28W/840	Luminous Flux 2 600	N/o Lamps 1	Total Luminous Flux 2 600
---	-------------------------------	-----------------------	-------------------------------------

Electrical Light Distribution Curve



Installation Directions / Attaching the Optical Cables

1. Ensure that voltage and Hz on the fixture and main voltage are the same.
2. Place the fixture in the hole you have made alternatively in the under ceiling profiles.
3. Fasten the fixture with the four clamps by screwing clockwise (the fastening arm is falling out). When mounting on a dismantable under ceiling the fixture shall be fasten in the T-profiles. When mounting on a fixed under celing the fixture shall be fastened directly on the under ceiling.
4. Connect the main voltage to the test terminal box through the hole in the bottom of the fixture.
5. Attach the optical fiber in the fiber holder bracket (not painted) that is mounted on one end of the luminaire. This results in that the optical fibers are positioned in the seams between two luminaires.
6. The glass dish must be a little bit angled when mounting and then be put above the heels.
7. When connecting several fixtures in rows you only need end cap on the outer ends. When mounting the fixtures one by one the end caps are mounted on the fixture directly by the factory.

Parans L5



Type

Hybrid

N/o Optical Cables

1 (2*)

Dimensions

1217 x 84 x 92

Weight

10 kg

* 2 Optical cables can be used in the same luminaire. Useful when the optic cables are extra long and/or extra high lux levels are required.

Recommended Lamp

Philips Master TL5 HO 24W/840

Luminous Flux

1 750

N/o Lamps

4

Total Luminous Flux

7 000

Installation Directions

1. Ensure that voltage and Hz on the fixture and main voltage are the same.
2. Insert the end piece of the optical fiber in the hole in the luminaire and tighten the nuts.
3. Place the fixture in the 600 x 600 mm ceiling grid. alternatively in the hole you have made in the continuous ceiling.
4. Connect the electricity.