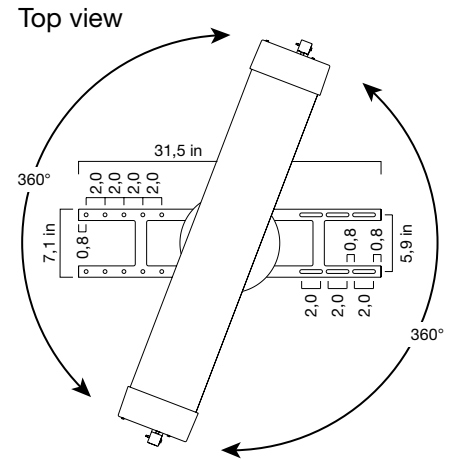


USA Distributor: HUVCO, Daylighting Solutions
 Post Office Box Three, Rohrsersville, Maryland 21779 USA
 800-832-6116 - www.huvco.com - sales@huvco.com

SP3 - receiver

Dimensions	44,9 x 22,4 x 10,6 in
Weight	70 lb
Power supply	AC 100 – 240 V, 50-60 Hz
Power consumption	0 - 10 W
Operating temperature	-4°F – 104°F
Light output, approx	6000 lm*
Materials	Aluminium, Tempered glass Zinc/nickel steel, Acrylic

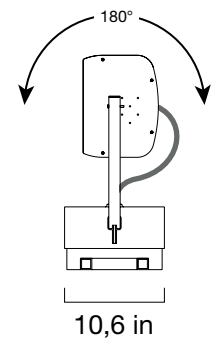
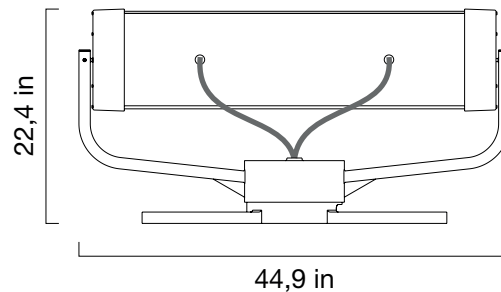
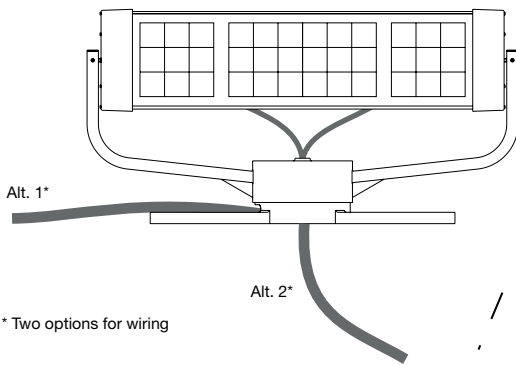
* All values based on solar illuminance of 100 000 Lux



Front view

Rear view

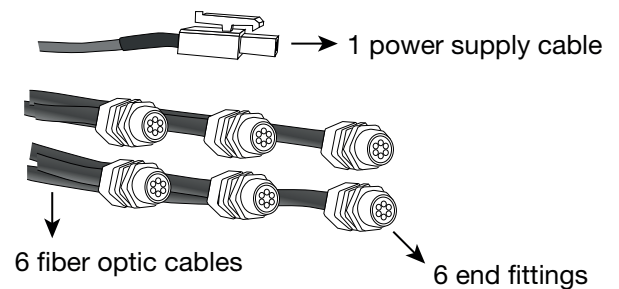
Right view



* Two options for wiring

PATENTED TECHNOLOGY

Protective conduit first 10 ft

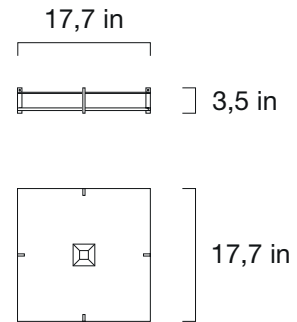


Cabling	C05	C10	C 15	C 20
Length	16,4 ft	32,8 ft	49,2 ft	65,6 ft
Fiber optic cable	6 pcs	6 pcs	6 pcs	6 pcs
Power supply cable	1 pcs	1 pcs	1 pcs	1 pcs
Protective conduit length	first 10 ft	first 10 ft	first 10 ft	first 10 ft
Protective conduit diameter	1,38 in	1,38 in	1,38 in	1,38 in
Protective conduit Internal diameter	1,14 in	1,14 in	1,14 in	1,14 in
Fiber optic cable diameter	0,28 in	0,28 in	0,28 in	0,28 in
End fitting diameter	0,71 in	0,71 in	0,71 in	0,71 in
Material fiber optic	Acrylic	Acrylic	Acrylic	Acrylic
Material protective coating	PE	PE	PE	PE
Material protective conduit	PA6	PA6	PA6	PA6
Light transmission	98,9 %/ft	98,9 %/ft	98,9 %/ft	98,9 %/ft
Light output	4800 lm	3900 lm	3180 lm	2400 lm
Light output for each cable	800 lm	650 lm	530 lm	400 lm
Light spreading angle	approx 60°	approx 60°	approx 60°	approx 60°
Maximum bend radius	1,97 in	1,97 in	1,97 in	1,97 in

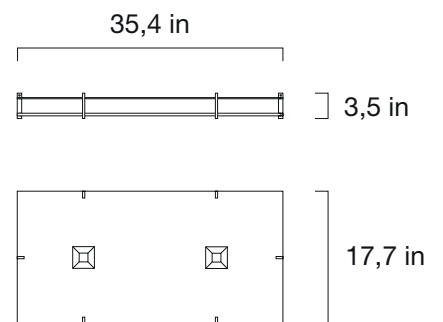
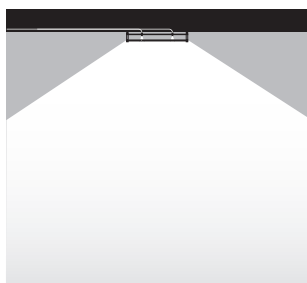


USA Distributor: HUVCO, Daylighting Solutions
 Post Office Box Three, Rohrsersville, Maryland 21779 USA
 800-832-6116 - www.huvco.com - sales@huvco.com

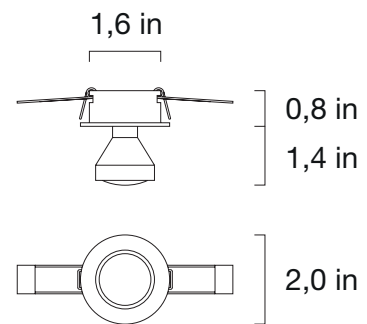
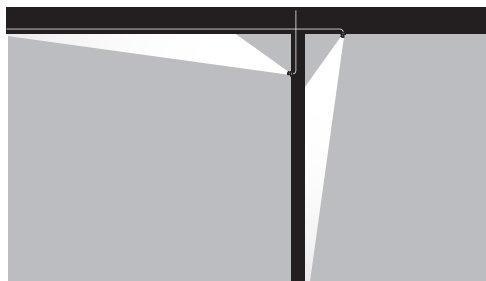
L1 Small



L1 Medium



L3 Spotlight



Luminaires	L1 Small	L1 Medium	L3 Spotlight
Dimensions	17,7 x 17,7 x 3,5 in	17,7 x 35,4 x 3,5 in	2,0 x 2,0 x 2,2 in
Weight	8 lb	16 lb	0,12 lb
Material	Acrylic	Acrylic	Aluminium, Glass
Luminaires for each receiver	6	3	6
Light output with 5 m cable	800 lm	1600 lm	800 lm
Light output with 10 m cable	650 lm	1300 lm	650 lm
Light output with 15 m cable	530 lm	1060 lm	530 lm
Light output with 20 m cable	400 lm	800 lm	400 lm